

Flanged Connector Clamps

Stainless Steel, with 4 Holes

SPECIFICATION

Types

- Type **A**: Without seals
- Type **B**: With seals

Identification no.

- No. **4**: With stainless steel cap nut DIN 917

Stainless steel AISI CF-8

Matte shot-blasted

Carriage bolt DIN 603

Stainless steel

Cap nuts DIN 917 / Washers

Stainless steel

Seals

- Sealing disks
Plastic (Polyacetal POM)
- Spacer ring
Silicon, 40 ... 60 Shore A



INFORMATION

The clamping bores of GN 146.5 flanged connector clamps are mechanically machined and designed for construction tubes GN 990 (see page 1902) or DIN 2391, DIN 2395 and DIN 2462.

At the screw location **z**, carriage bolt and cap nut reduce the bore cross-section for clamping. Type B is equipped with seals at the screw location.

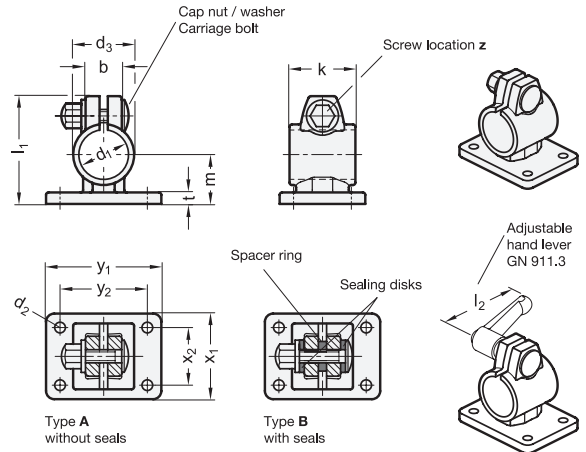
For clamping without tools, the cap nut can be replaced by an adjustable hand lever GN 911.3 (see page 1875) listed in the table as accessory.

ACCESSORY

- Adjustable Hand Levers GN 911.3 (see page 1875)

TECHNICAL INFORMATION

- Plastic Characteristics (see page A2)
- Stainless Steel Characteristics (see page A26)



GN 146.5-A

STAINLESS STEEL

Description	d ₁ Bore	b	d ₂	d ₃	k Clamping length	l ₁	m	t	x ₁	x ₂	y ₁	y ₂	z Screw location	Accessory Recom. hand lever GN 911.3 for z l ₂	⚖
GN 146.5-B30-A-4	B 30	22	6.5	37	40	66	30	7	52	35	70	53	M 8	63 78	270
GN 146.5-B40-A-4	B 40	28	8.5	50.2	56	86	42	7.6	78	52	108	82	M 10	78 92	743
GN 146.5-B50-A-4	B 50	30	10.7	60	65	98.5	50	9	92	62	128	98	M 10	78 92	1081

GN 146.5-B

STAINLESS STEEL

Description	d ₁ Bore	b	d ₂	d ₃	k Clamping length	l ₁	m	t	x ₁	x ₂	y ₁	y ₂	z Screw location	Accessory Recom. hand lever GN 911.3 for z l ₂	⚖
GN 146.5-B30-B-4	B 30	22	6.5	37	40	66	30	7	52	35	70	53	M 8	63 78	270
GN 146.5-B40-B-4	B 40	28	8.5	50.2	56	86	42	7.6	78	52	108	82	M 10	78 92	743
GN 146.5-B50-B-4	B 50	30	10.7	60	65	98.5	50	9	92	62	128	98	M 10	78 92	1081